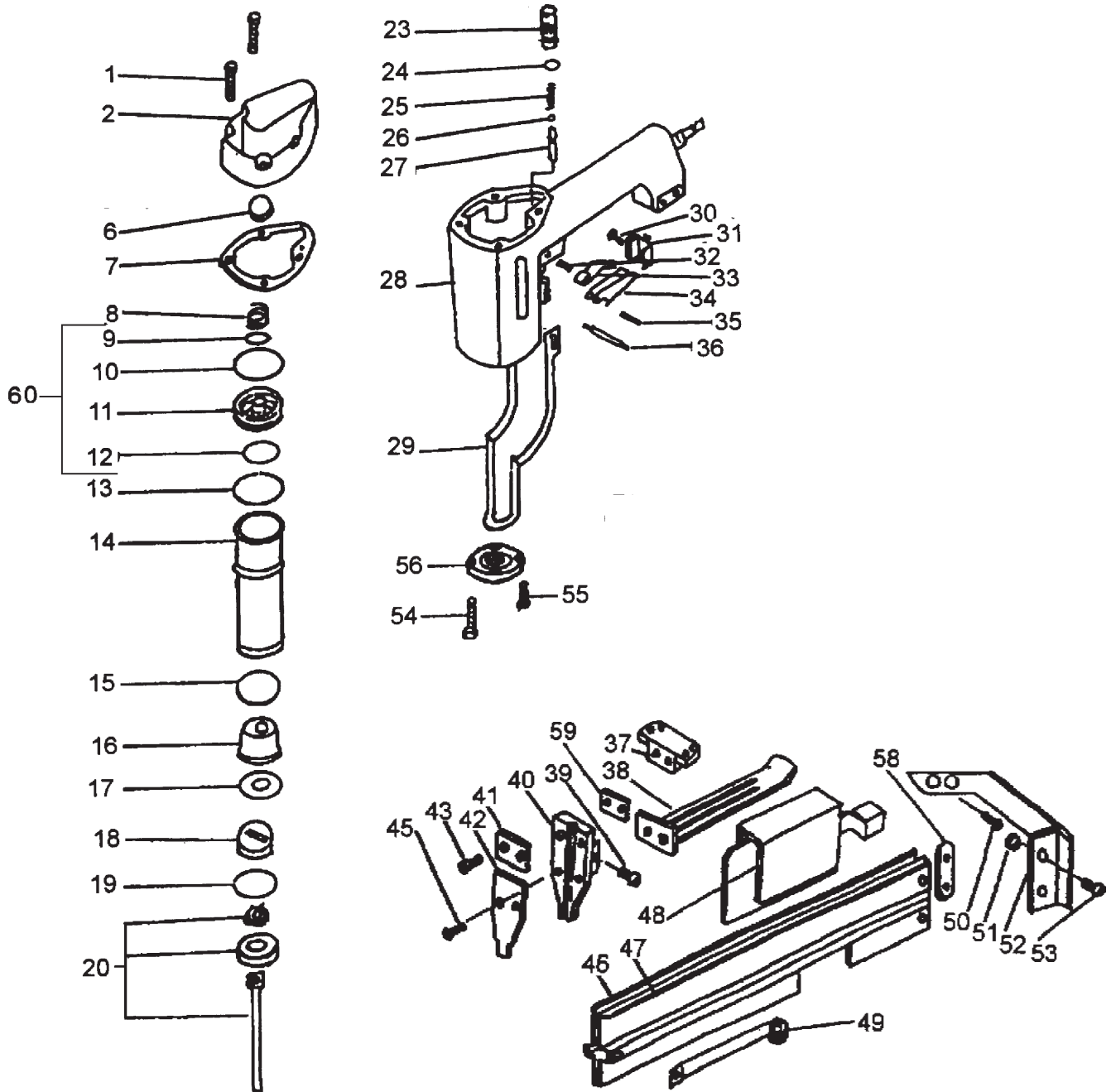


MODEL HT8650

SPOTNAILS®
DIVISION OF PEACE INDUSTRIES, LTD.

1100 Hicks Road
Rolling Meadows, IL 60008
Phone: 847-259-1620



SPOTNAILS MODEL HT8650

Ref. No.	Part No.	Description
1	P-24314	Screw
2	P-60117	Cap
6	P-15016	Exhaust Seal
7	P-62019	Gasket
8	P-18047	Spring
9	P-64033	Poppet O-Ring
10	P-64028	Poppet
11	P-63031	Poppet
12	P-64244	Cylinder Seal O-Ring
13	P-64069	Cylinder O-Ring
14	P-05048	Cylinder
15	P-64035	Cylinder O-Ring
16	P-15129	Bumper
17	P-32091	Washer
18	P-15168	Return Seal
19	P-64228	Piston O-Ring
20	AS-66122	Driver Assembly
23	P-22040	Valve
24	P-64032	O-Ring
25	P-18050	Spring
26	P-64040	Plunger O-Ring
27	P-22057	Plunger
28	P-01244	Body
29	P-53121	Safety
30	P-24316	Screw
31	P-53080	Bracket

Ref. No.	Part No.	Description
32	P-07254	Pin
33	P-21046	Secondary Trigger
34	P-21070	Trigger
35	P-07255	Spring Pin
36	P-07145	Safety Pin
37	P-13043	Wear Plate Bracket
38	P-12339	Guide Nail Cover
39	P-24317	Screw
40	P-08447	Wear Plate
41	P-10259	Stationary Front Plate
42	P-10260	Removable Front Plate
43	P-24316	Screw
45	P-24316	Screw
46	P-12369	Magazine (Right)
47	P-12370	Magazine (Left)
48	P-09165	Pusher
49	P-18234	Neg. Spring
50	P-24318	Screw
51	P-26126	Nut
52	P-13044	Bracket
53	P-24319	Screw
54	P-24314	Screw
55	P-24320	Screw
56	P-60137	Bottom Plate
58	P-03056	Spacer
59	P-03054	Spacer
60	AS-63020	Poppet Assembly