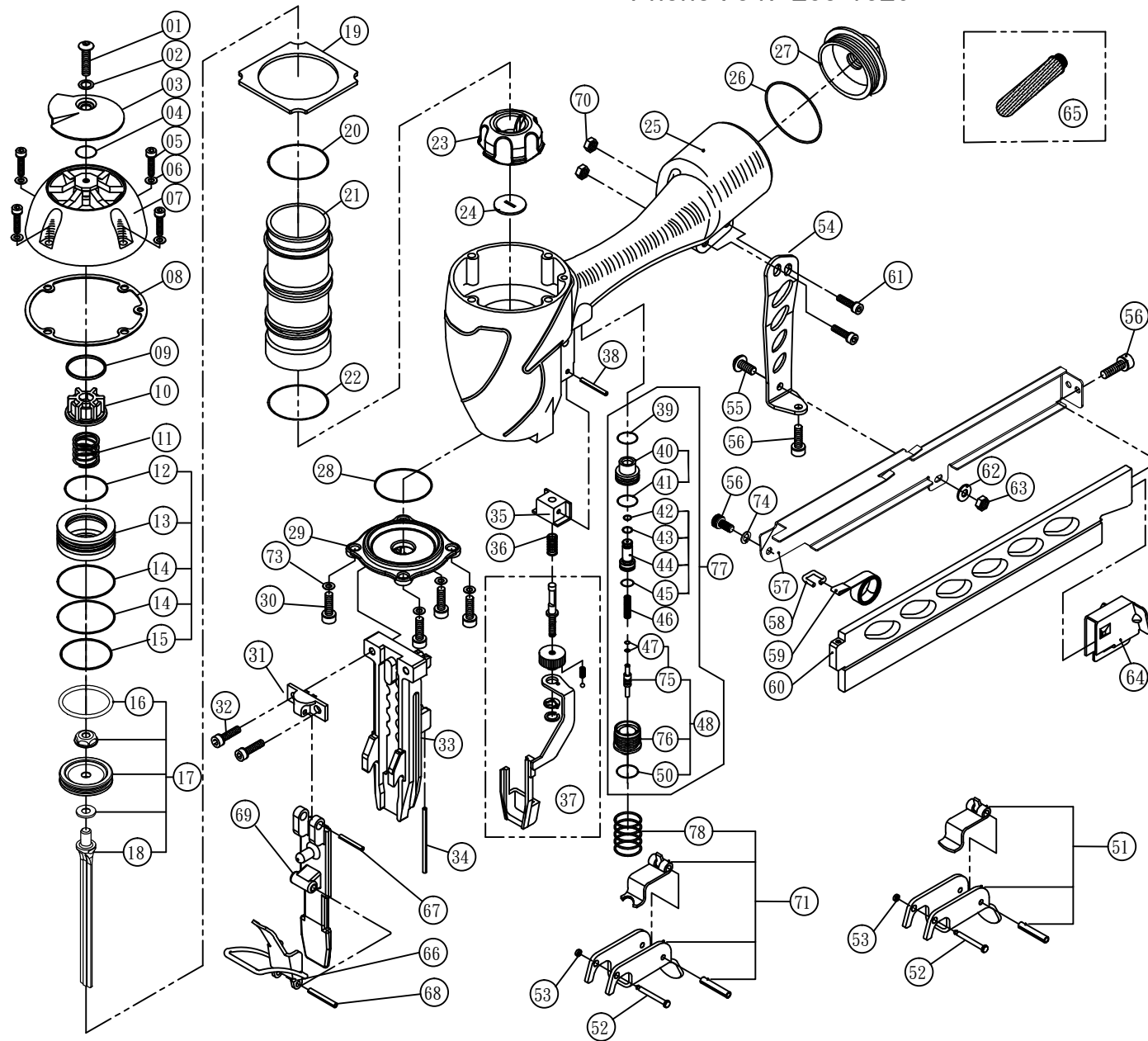


MODEL MS6564

SPOTNAILS[®]

DIVISION OF PEACE INDUSTRIES, LTD.

1100 Hicks Rd
 Rolling Meadows, IL 60008
 Phone : 847-259-1620



SPOTNAILS MODEL MS6564

Ref No.	Part No.	Description	Ref No.	Part No.	Description	
01	P-24370	Screw	◆	39	P-64332	Valve Housing O-Ring
02	P-96118	Bushing		40	P-22144	Trigger Valve Cap
03	P-70047	Exhaust Deflector	◆	41	P-64333	O-Ring
04	P-64377	O-Ring	◆	42	P-64334	O-Ring
05	P-24314	Cap Screw	◆	43	P-64335	O-Ring
06	P-32169	Flat Washer		44	P-22145	Pilot Valve
07	P-60181	Cap	◆	45	P-64336	O-Ring
◆	08	P-62080	Gasket	46	P-18227	Spring
09	P-03076	Spacer	◆	47	P-64383	Plunger O-Rings
10	P-15204	Exhaust Seal		48	AS-22037	Plunger Assembly
11	P-18442	Poppet Spring	◆	50	P-64328	O-Ring
12	P-64399	Poppet O-Ring		51	AS-21008	Bump Fire Trigger (Black)
13	P-63043	Poppet		52	P-07327	Trigger Pin
14	P-64426	Poppet O-Ring	◆	53	P-64240	O-Ring
15	P-64312	Cylinder Seal O-Ring		54	P-13082	Bracket
◆	16	P-64427	Piston O-Ring	55	P-24370	Screw
17	AS-06072	Piston & Driver Assembly		56	P-24353	Screw
18	P-06252	Driver Blade		57	P-12594	Magazine Cover
19	P-03082	Guide Spacer		58	P-18131	Spring Clip
◆	20	P-64428	Cylinder O-Ring	59	P-18298	Negator Spring
21	P-05108	Cylinder		60	P-12476	Magazine
◆	22	P-64429	O-Ring	61	P-24383	Screw
23	P-15215	Bumper		62	P-32170	Washer
24	P-15218	Return Seal		63	P-26142	Nut
25	P-01302	Body		64	P-09210	Pusher
26	P-64312	O-Ring		65	P-97454	Filter (Available)
27	P-60156	End Cap		66	AS-04038	Latch Assembly
28	P-64430	O-Ring		67	P-07354	Pin
29	P-60220	Bottom Plate		68	P-07355	Pin
30	P-24611	Screw		69	P-10306	Stationary Front Plate
31	P-10307	Removable Front Plate		70	P-26143	Nut
32	P-24358	Screw		71	AS-21026	Restrictive Trigger Assembly (Red)
33	P-08492	Wear Plate		73	P-32291	Washer
34	P-07257	Safety Yoke Pin		74	P-32229	Washer
35	P-53165	Safety Guide		75	AS-22041	Plunger Assembly
36	P-18328	Spring		76	P-22233	Valve Housing
37	AS-53062	Safety Assembly		77	AS-22043	Trigger Valve Assy.
38	P-07262	Pin		78	P-18267	Spring

◆ Parts Included In AS-97300 O-Ring And Seal Kit