

MODEL WS3832

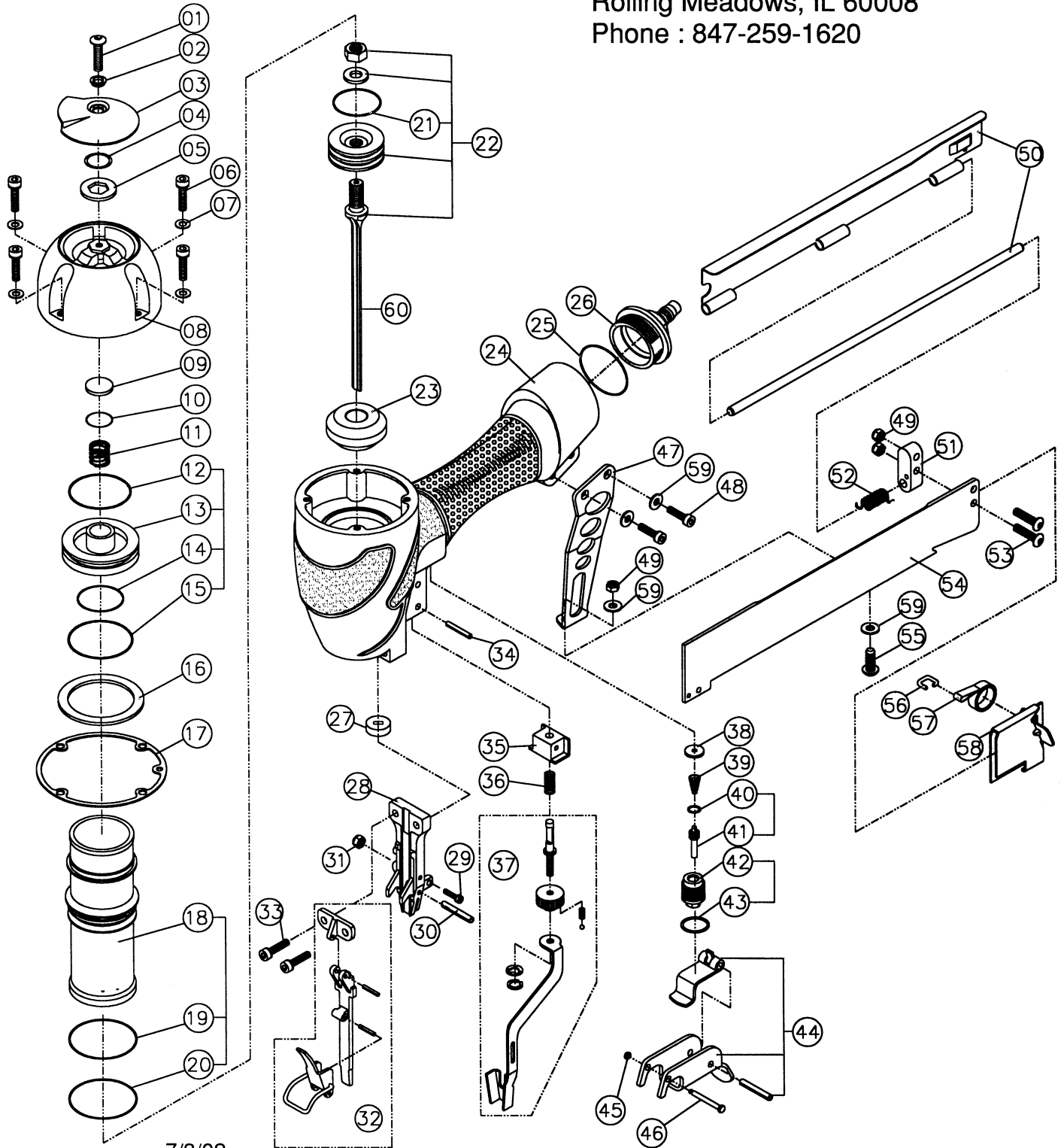
SPOTNAILS®

DIVISION OF PEACE INDUSTRIES, LTD.

1100 Hicks Rd

Rolling Meadows, IL 60008

Phone : 847-259-1620



7/3/02

SPOTNAILS MODEL WS3832

Ref No.	Part No.	Description
01	P-24370	Screw
02	P-96118	Bushing
03	P-70042	Exhaust Deflector
04	P-64377	O-Ring
05	P-32217	Washer
06	P-24300	Screw
07	P-32211	Flat Washer
08	P-60174	Cap
◆ 09	P-15193	Exhaust Seal
◆ 10	P-64384	O-Ring
◆ 11	P-18331	Poppet Spring
◆ 12	P-64385	Poppet O-Ring
◆ 13	P-63038	Poppet
◆ 14	P-64233	Piston Stop O-Ring
◆ 15	P-64386	Cylinder Seal O-Ring
◆ 16	P-03070	Guide Spacer
◆ 17	P-62071	Gasket
◆ 18	P-05097	Cylinder
◆ 19	P-64387	Cylinder O-Ring
◆ 20	P-64242	O-Ring
◆ 21	P-64388	Piston O-Ring
22	AS-06048	Piston & Driver Assembly
23	P-15195	Bumper
24	P-01261	Body
25	P-64389	O-Ring
26	P-60175	End Cap
◆ 27	P-15196	Return Seal
28	P-08476	Wear Plate
29	P-24311	Screw
30	P-07290	Roll Pin

Ref No.	Part No.	Description
31	P-26125	Nut
32	AS-10049	Front Plate Assembly
33	P-24358	Screw
34	P-07291	Pin
35	P-53165	Safety Guide
36	P-18328	Spring
37	AS-53042	Safety Assembly
38	P-15194	Valve Seal
39	P-18283	Spring
◆ 40	P-64390	O-Ring
41	P-22165	Plunger
42	P-22166	Valve Housing
43	P-64391	O-Ring
44	AS-21008	Trigger Assembly
◆ 45	P-64240	O-Ring
46	P-07327	Trigger Pin
47	P-13075	Bracket
48	P-24306	Screw
49	P-26126	Nut
50	AS-99081	Magazine Cover Assembly
51	P-05098	Fixed Spacer
52	P-18332	Spring
53	P-24301	Screw
54	P-12427	Track
55	P-24310	Screw
56	P-18233	Spring Clip
57	P-18232	Negator Spring
58	P-09189	Pusher
59	P-32144	Washer
60	P-06233	Driver Blade

◆ Parts Included In AS-97281 O-Ring And Seal Kit