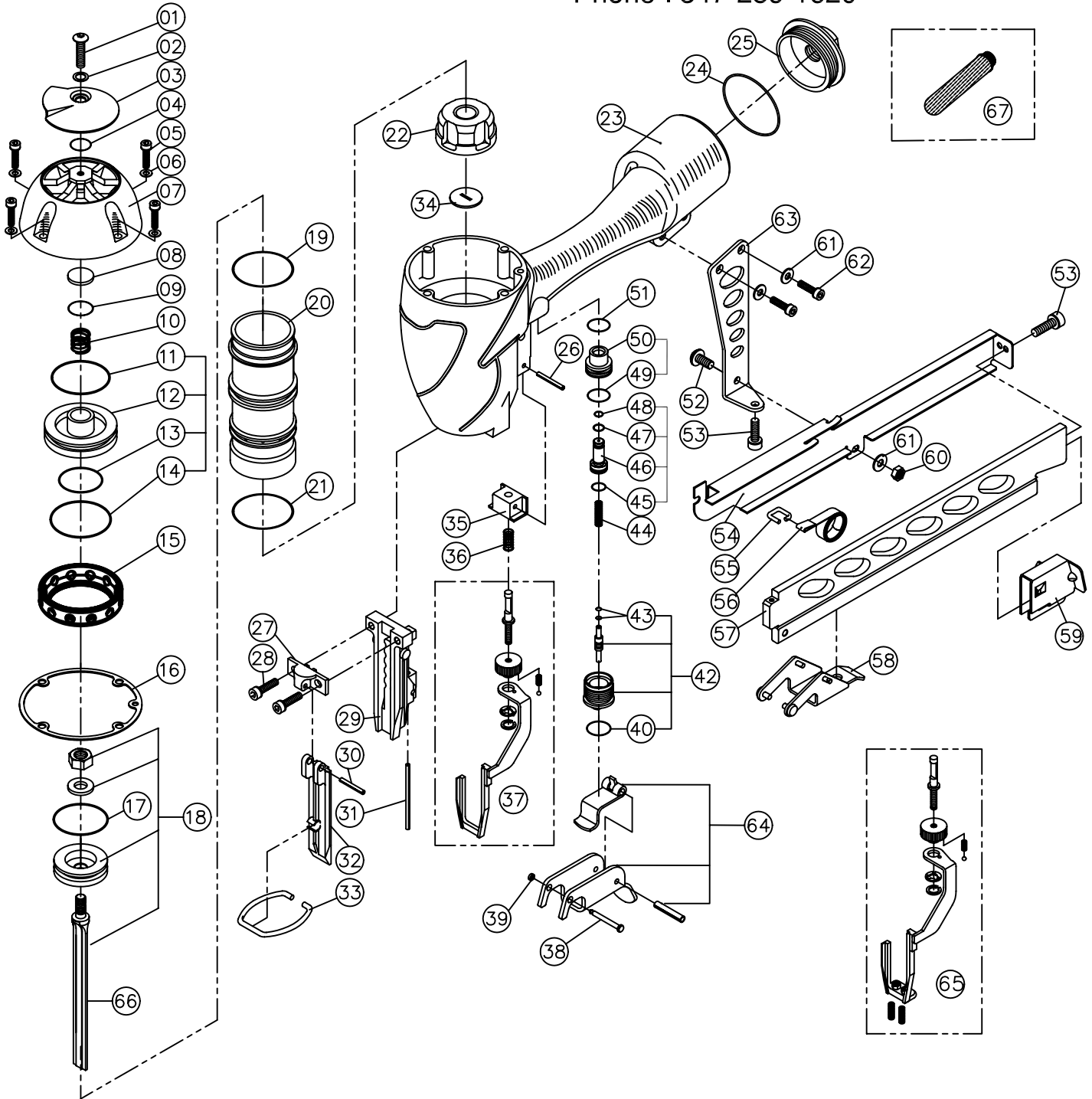


MODEL XS7650

SPOTNAILS[®]

DIVISION OF PEACE INDUSTRIES, LTD.
1100 Hicks Rd
Rolling Meadows, IL 60008
Phone : 847-259-1620



6/6/2005

SPOTNAILS MODEL XS7650

| Ref No. | Part No. | Description |
|---------|----------|-----------------------------------|
| 01 | P-24370 | Screw |
| 02 | P-96118 | Bushing |
| 03 | P-70041 | Exhaust Deflector |
| 04 | P-64377 | O-Ring |
| 05 | P-24300 | Cap Screw |
| 06 | P-32211 | Flat Washer |
| 07 | P-60172 | Cap |
| ◆ | 08 | P-15187 Exhaust Seal |
| ◆ | 09 | P-64378 O-Ring |
| ◆ | 10 | P-18327 Poppet Spring |
| ◆ | 11 | P-64028 Poppet O-Ring |
| ◆ | 12 | P-63037 Poppet |
| ◆ | 13 | P-64379 Piston Stop O-Ring |
| ◆ | 14 | P-64380 Cylinder Seal O-Ring |
| ◆ | 15 | P-03079 Guide Spacer |
| ◆ | 16 | P-62070 Gasket |
| ◆ | 17 | P-64228 Piston O-Ring |
| ◆ | 18 | AS-06035 Piston & Driver Assembly |
| ◆ | 19 | P-64330 Cylinder O-Ring |
| ◆ | 20 | P-05096 Cylinder |
| ◆ | 21 | P-64419 O-Ring |
| ◆ | 22 | P-15188 Bumper |
| ◆ | 23 | P-01260 Body |
| ◆ | 24 | P-64312 O-Ring |
| ◆ | 25 | P-60156 End Cap |
| ◆ | 26 | P-07262 Pin |
| ◆ | 27 | P-10276 Stationary Front Plate |
| ◆ | 28 | P-24358 Screw |
| ◆ | 29 | P-08464 Wear Plate |
| ◆ | 30 | P-07253 Spring Pin |
| ◆ | 31 | P-07257 Safety Yoke Pin |
| ◆ | 32 | P-10277 Removable Front Plate |
| ◆ | 33 | P-18251 Latch Spring |

| Ref No. | Part No. | Description |
|---------|----------|---|
| 34 | P-15192 | Return Seal |
| 35 | P-53165 | Safety Guide |
| 36 | P-18328 | Spring |
| 37 | AS-53044 | Safety Assembly |
| 38 | P-07327 | Trigger Pin |
| ◆ | 39 | P-64240 O-Ring |
| ◆ | 40 | P-64328 O-Ring |
| ◆ | 42 | AS-22037 Plunger Assembly |
| ◆ | 43 | P-64383 Plunger O-Ring |
| ◆ | 44 | P-18227 Spring |
| ◆ | 45 | P-64336 O-Ring |
| ◆ | 46 | P-22145 Pilot Valve |
| ◆ | 47 | P-64335 O-Ring |
| ◆ | 48 | P-64334 O-Ring |
| ◆ | 49 | P-64333 O-Ring |
| ◆ | 50 | P-22144 Trigger Valve Cap |
| ◆ | 51 | P-64332 Valve Housing O-Ring |
| ◆ | 52 | P-24370 Screw |
| ◆ | 53 | P-24353 Screw |
| ◆ | 54 | P-12385 Magazine Cover |
| ◆ | 55 | P-18131 Spring Clip |
| ◆ | 56 | P-18298 Negator Spring |
| ◆ | 57 | P-12403 Magazine |
| ◆ | 58 | P-04060 Quick Clear Latch |
| ◆ | 59 | P-09184 Pusher |
| ◆ | 60 | P-26142 Nut |
| ◆ | 61 | P-32170 Washer |
| ◆ | 62 | P-24301 Screw |
| ◆ | 63 | P-13067 Bracket |
| ◆ | 64 | AS-21008 Trigger Assembly |
| ◆ | 65 | AS-99077 Vinyl Siding Attachment Kit (Optional) |
| ◆ | 66 | P-06226 Driver Blade |
| ◆ | 67 | P-97454 Filter (Optional) |

◆ Parts Included In AS-97274 O-Ring And Seal Kit