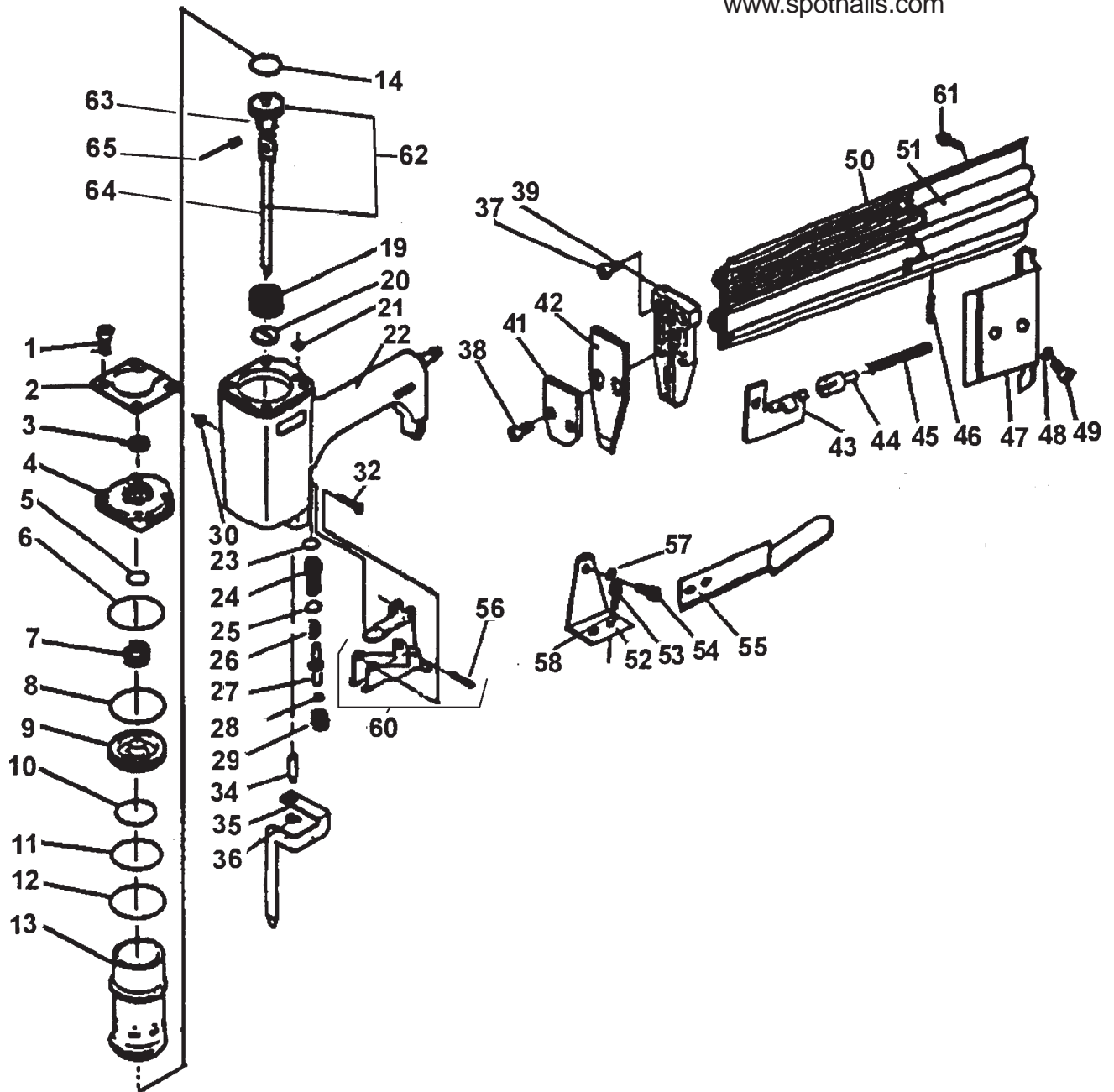


# MODEL CB1820

**SPOTNAILS®**  
DIVISION OF PEACE INDUSTRIES, LTD.

1100 Hicks Rd  
Rolling Meadows, IL 60008  
Phone: 847-259-1620  
www.spotnails.com



## SPOTNAILS MODEL CB1820

Ref No.	Part No.	Description
1	P-24300	Screw
2	P-70032	Exhaust Cover
3	P-15120	Exhaust Seal
4	P-60135	Body Cap
5	P-64230	Poppet O-Ring
6	P-64231	Cap O-Ring
7	P-18226	Spring
8	P-64232	Poppet O-Ring
9	P-63030	Poppet Valve
10	P-64233	Piston Stop O-Ring
11	P-64234	Cylinder Seal O-Ring
12	P-64235	Cylinder O-Ring
13	P-05070	Cylinder
14	P-64236	Piston O-Ring
19	P-15121	Bumper
20	P-15122	Return Seal
21	P-64237	Pipe O-Ring
22	P-01241	Body
23	P-64239	O-Ring
24	P-22114	Bleeder Valve
25	P-64241	O-Ring
26	P-18227	Valve Spring
27	P-22113	Plunger
28	P-64240	Plunger O-Ring
29	P-18228	Spring
32	P-07234	Trigger Pin
34	P-07236	Safety Yoke Pin
35	P-53117	Safety Yoke

Ref No.	Part No.	Description
36	P-32143	E-Ring
37	P-24301	Screw
38	P-24302	Screw
39	P-08436	Wear Plate
41	P-52033	Safety Yoke Guide
42	P-10254	Front Plate
43	P-09148	Pusher
44	P-18229	Spring Stem
45	P-18230	Pusher Spring
46	P-07237	Pusher Stop Pin
47	P-04049	Latch
48	P-32216	Lock Washer
49	P-24304	Screw
50	P-12229	Magazine
51	P-12230	Magazine Cover
52	P-13040	Bracket
53	P-24304	Screw
54	P-24306	Screw
55	P-18231	Latch Spring
56	P-07239	Pin
57	P-32144	Washer
58	P-32144	Washer
60	AS-21006	Trigger Assembly
61	P-24341	Pusher Stop Screw
62	AS-66128	Piston Driver Assembly
*63	P-66087	Piston
*64	P-06202P	Driver Blade
*65	AS-07001	Pin Assembly
66	AS-21017	Restrictive Trigger Kit

\* For older tools with Pin Assembly to hold piston and driver.